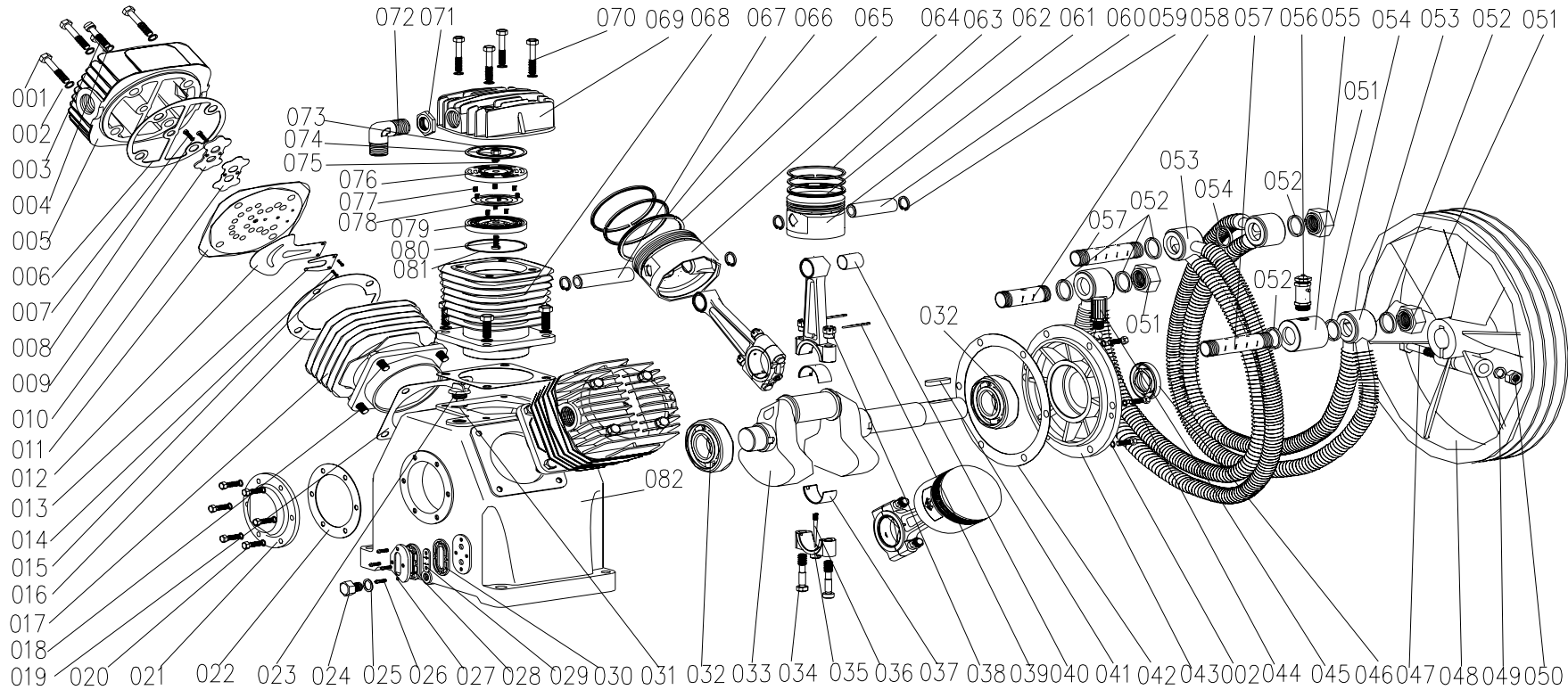


# W115 II



- 001 Bolt M12×95 (8) 002 Spring Washer 12 (30) 003 Bolt M8×45 (2) 004 Spring Washer 8 (8) 005 One Stage Head (2) 006 One Stage Head Gasket (2) 007 Bolt M5×12 (4) 008 Spring Washer 5 (4) 009 One Stage Limiter (2) 010 One Stage Outlet Sheet (2) 011 One Stage Plate (2) 012 One Stage Intake Valve Sheet (2) 013 One Stage Intake Support (2) 014 Spring Washer 8 (4) 015 Bolt M4×10 (4) 016 One Stage Valve Plate Gasket (2) 017 One Stage Bore (2) 018 Bolt M12×30 (18) 019 Bore Gasket (3) 020 Bolt M8×20 (6) 021 Bearing Cover (1) 022 Bearing Cover Gasket (1) 023 Oil Plug (1) 024 Oil Plug (1) 025 Copper Washer 16 (1) 026 Bolt M5×16 (4) 027 Oil Gauge Cover (1) 028 Oil Gauge (1) 029 Oil Level Gauge (1) 030 Oil Gauge Gasket (1) 031 Seal (1) 032 Bearing 309 (2) 033 Crankshaft (1) 034 Conrod Bolt (6) 035 Conrod (3) 036 Spill Oil Pin (1) 037 Bearing Bush (3) 038 Conrod Nut (6) 039 Pin 3×45 (6) 040 Copper Bush (3) 041 Key 12×45 (1) 042 Bearing Shell Gasket (1) 043 Bearing Shell (1) 044 Steel Ball (1) 045 Breather (1) 046 Oil Seal 45×70×12 (1) 047 Bolt M16×110 (1) 048 Pulley (1) 049 Spring Washer 16 (1) 050 Nut M16 (1) 051 Cover Nut (3) 052 Alloy Washer (6) 053 Inner Cooler (2) 054 Inner Cooler Gasket (2) 055 Connection Case (1) 056 One Stage Safety Valve (1) 057 Long Connection Pipe (2) 058 Short Connection Pipe (1) 059 Circlip 25 (6) 060 Two Stage Gudgeon Pin (1) 061 Two Stage Piston (1) 062 Two Stage Oil Ring (1) 063 Two Stage Gas Ring (2) 064 One Stage Piston (2) 065 One Stage Oil Ring (2) 066 One Stage Gas Ring (4) 067 One Stage Gudgeon Pin (2) 068 Two Stage Bore (1) 069 Two Stage Head (1) 070 Bolt M12×75 (4) 071 Nut M33×1.5 (1) 072 Two Stage Outlet Elbow (1) 073 Two Stage Valve Up Gasket (1) 074 Nut M10 (1) 075 Spring Washer 10 (1) 076 Two Stage Valve Cover (1) 077 Two Stage Valve Spring (9) 078 Two Stage Valve Sheet (1 set) 079 Two Stage Valve Shell (1) 080 Bolt (1) 081 Two Stage Valve Down Gasket (1) 082 Crankcase (1)